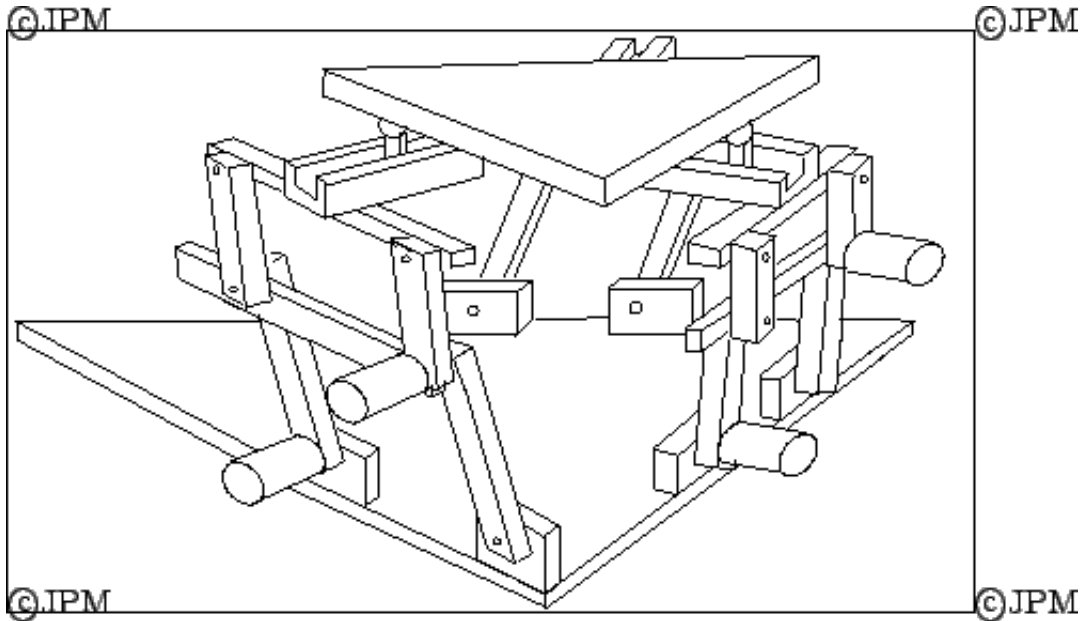
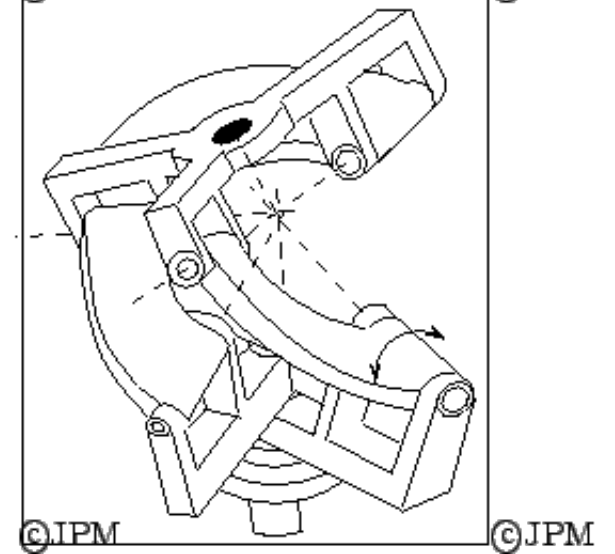
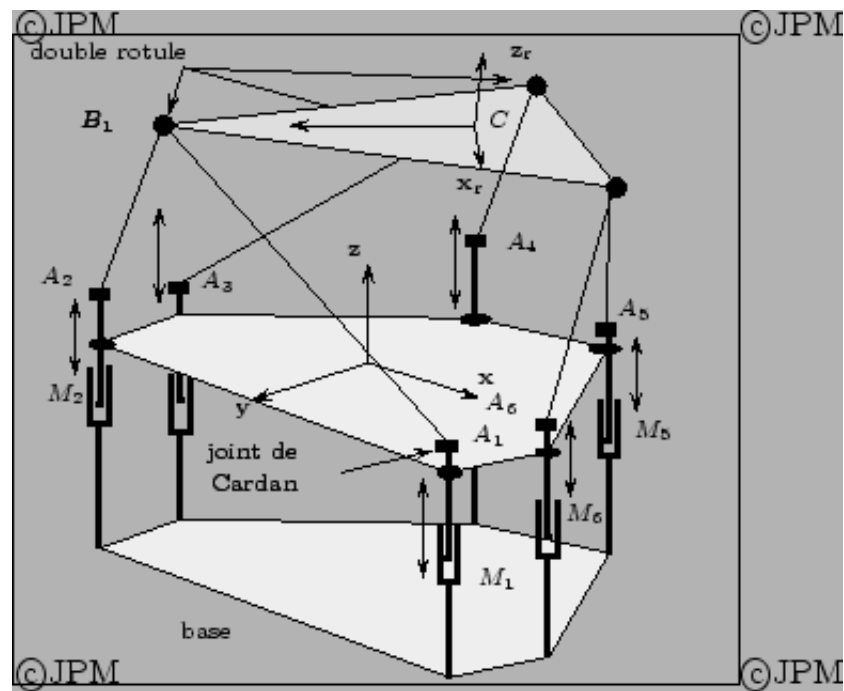
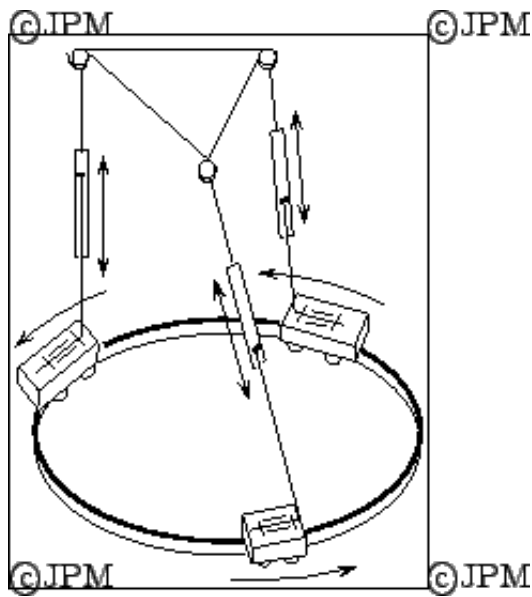
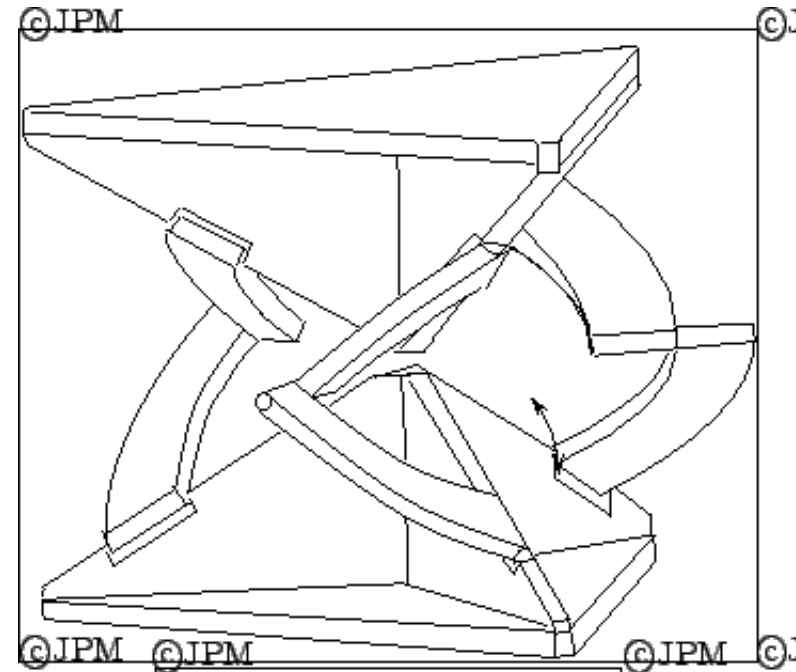
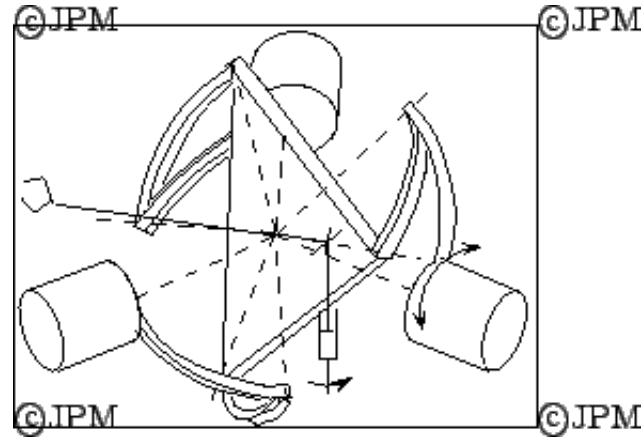
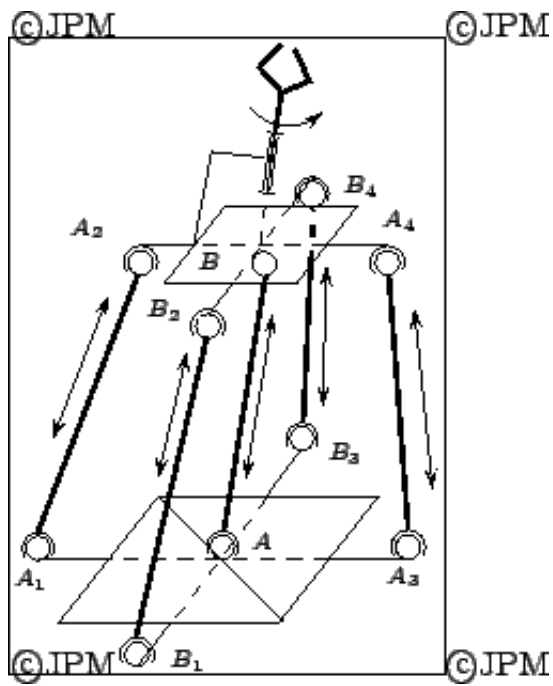
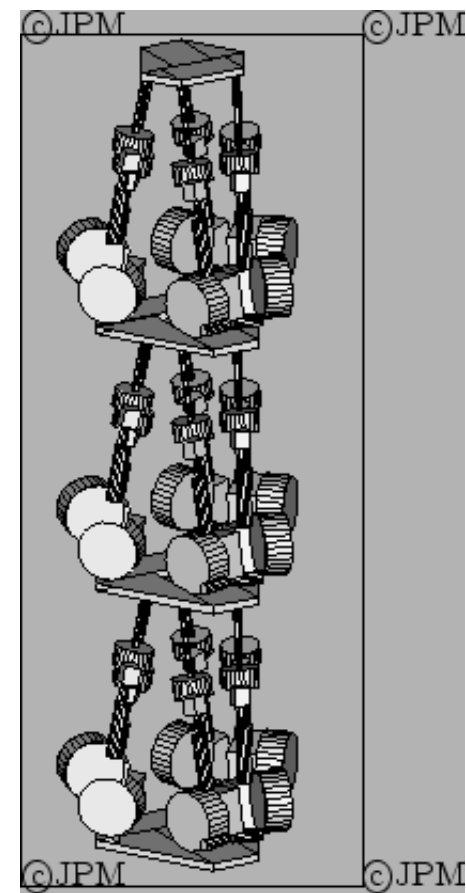
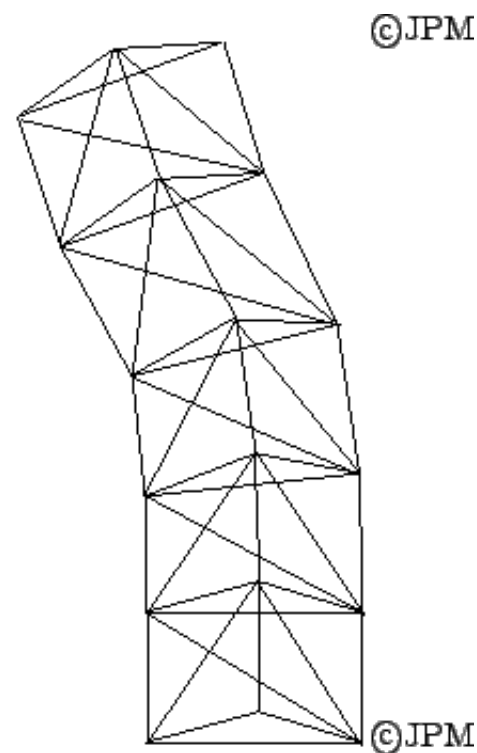
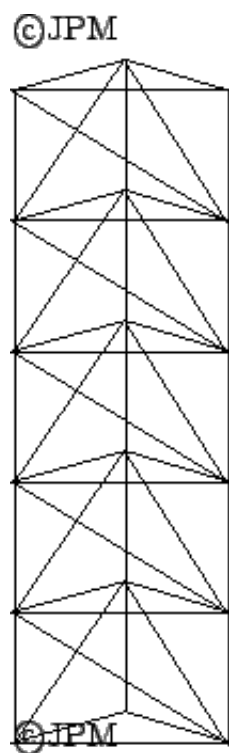
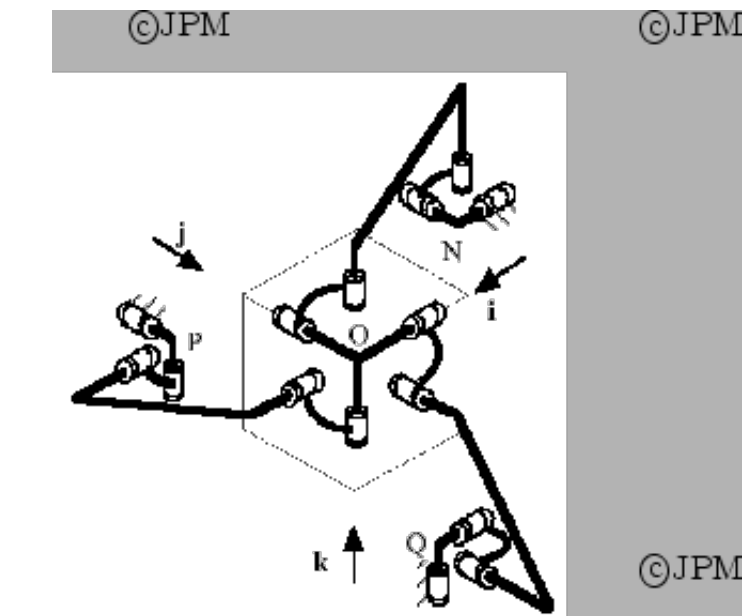
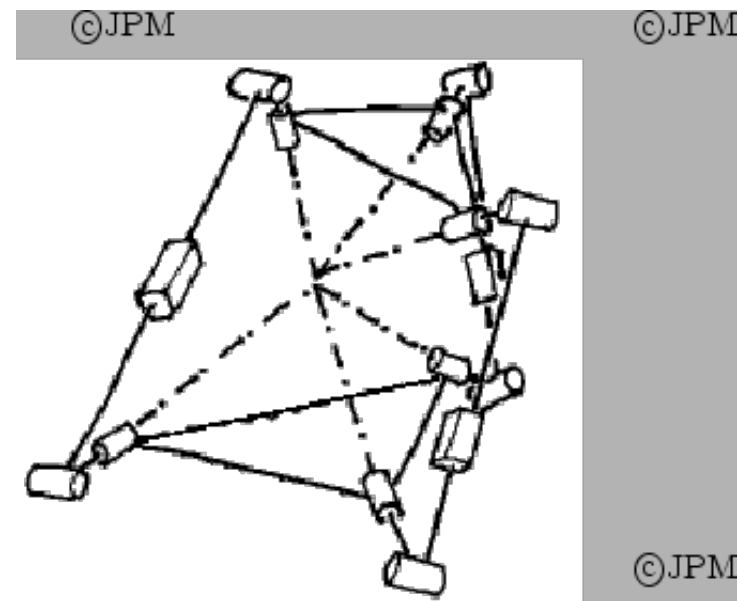
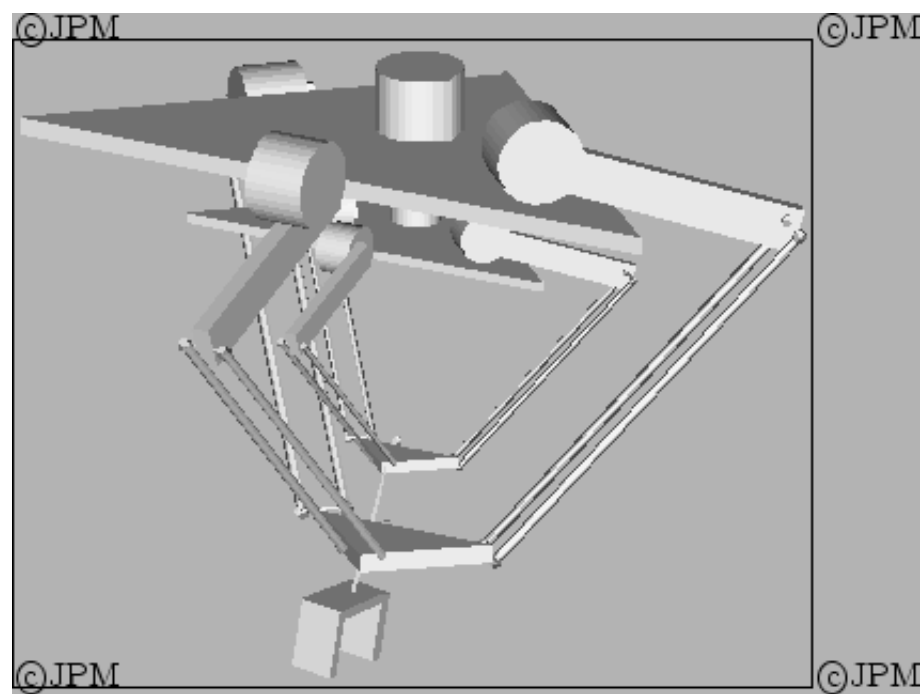


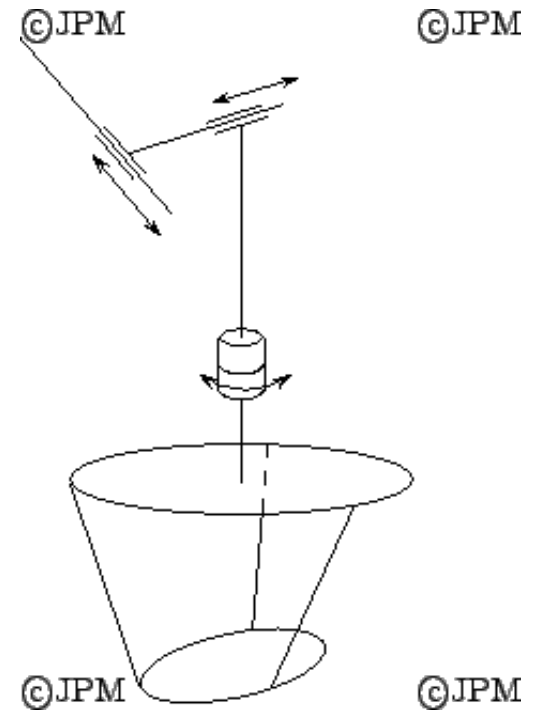
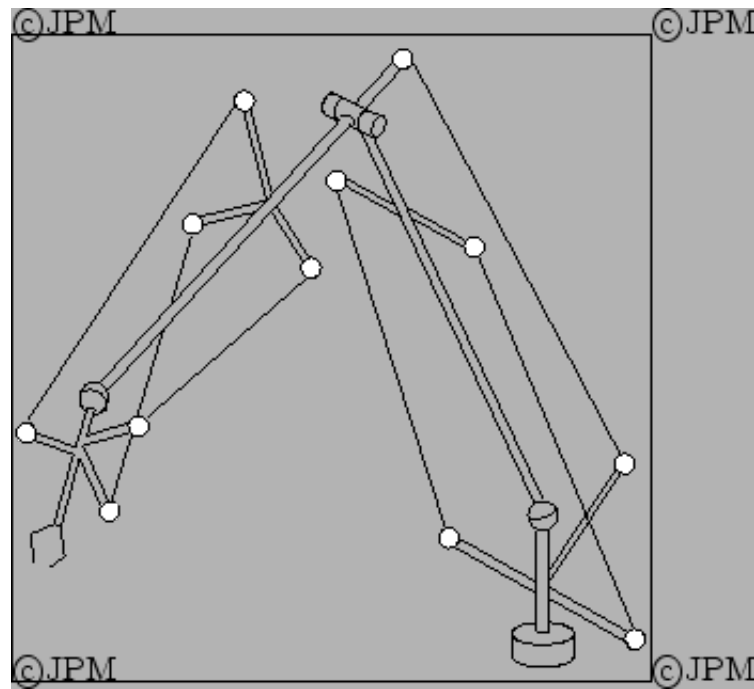
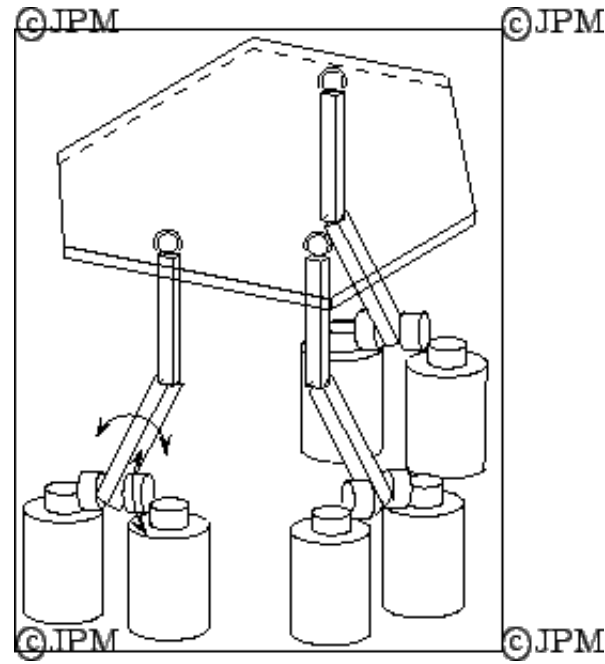
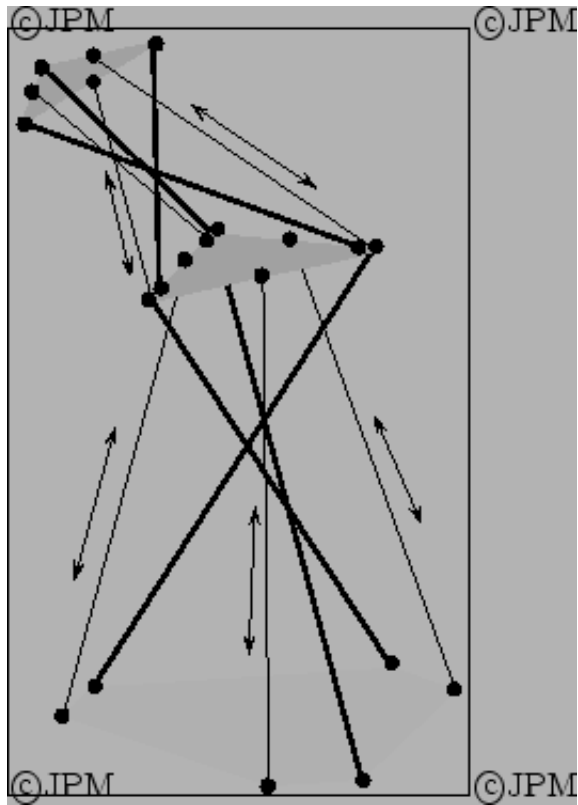
Avoiding singularities in robotics

Petaflot









this page intentionnally left blank

this page intentionnally left blank

this page intentionnally left blank