

www.ArduGuitar.org

Wireless control of an Electric Guitar

Electric Guitar

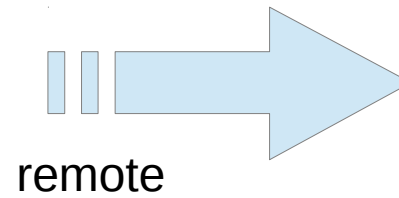
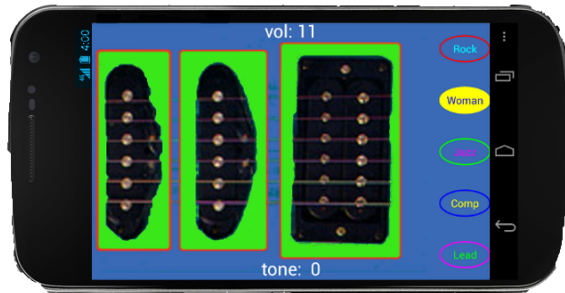


All I knew...

$$V = IR$$

Vision

Control this
Android Phone



No Knobs
or Buttons !

Play this
Electric Guitar

But, why didn't this already exist?

- Too difficult to build
- Nobody wants it

TED

a Community of Inspiration

Marshall McLuhan (1962)

“In this new age, humankind will move from individualism and fragmentation to a collective identity, the global village.”

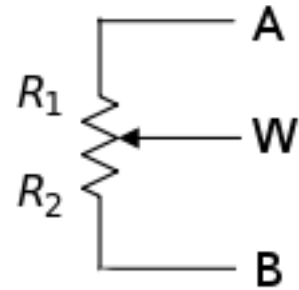
and

“When faced with a totally new situation we tend to always attach ourselves to the objects, to the flavor of the most recent past. We look at the present through a rear-view mirror. We march backwards into the future.”

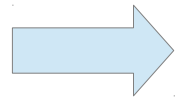
Thanks, Mitch!

the Pot

Potentiometer



Manually
turn knob



R_1 and R_2
Vary

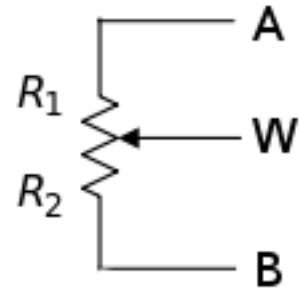
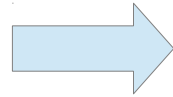
Analog Pot

the Pot

Potentiometer

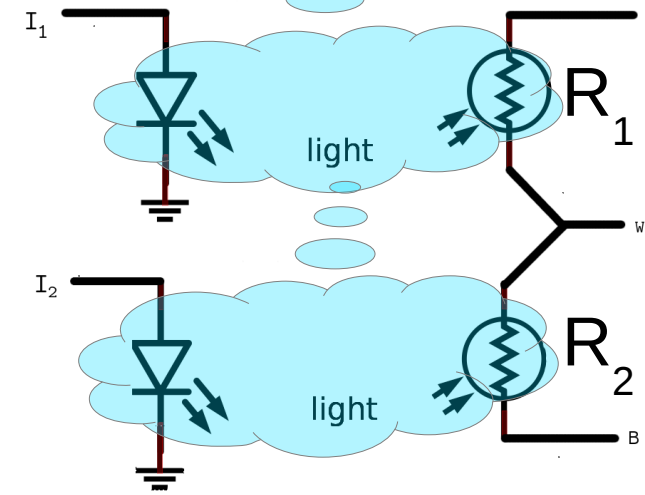



Manually
turn knob



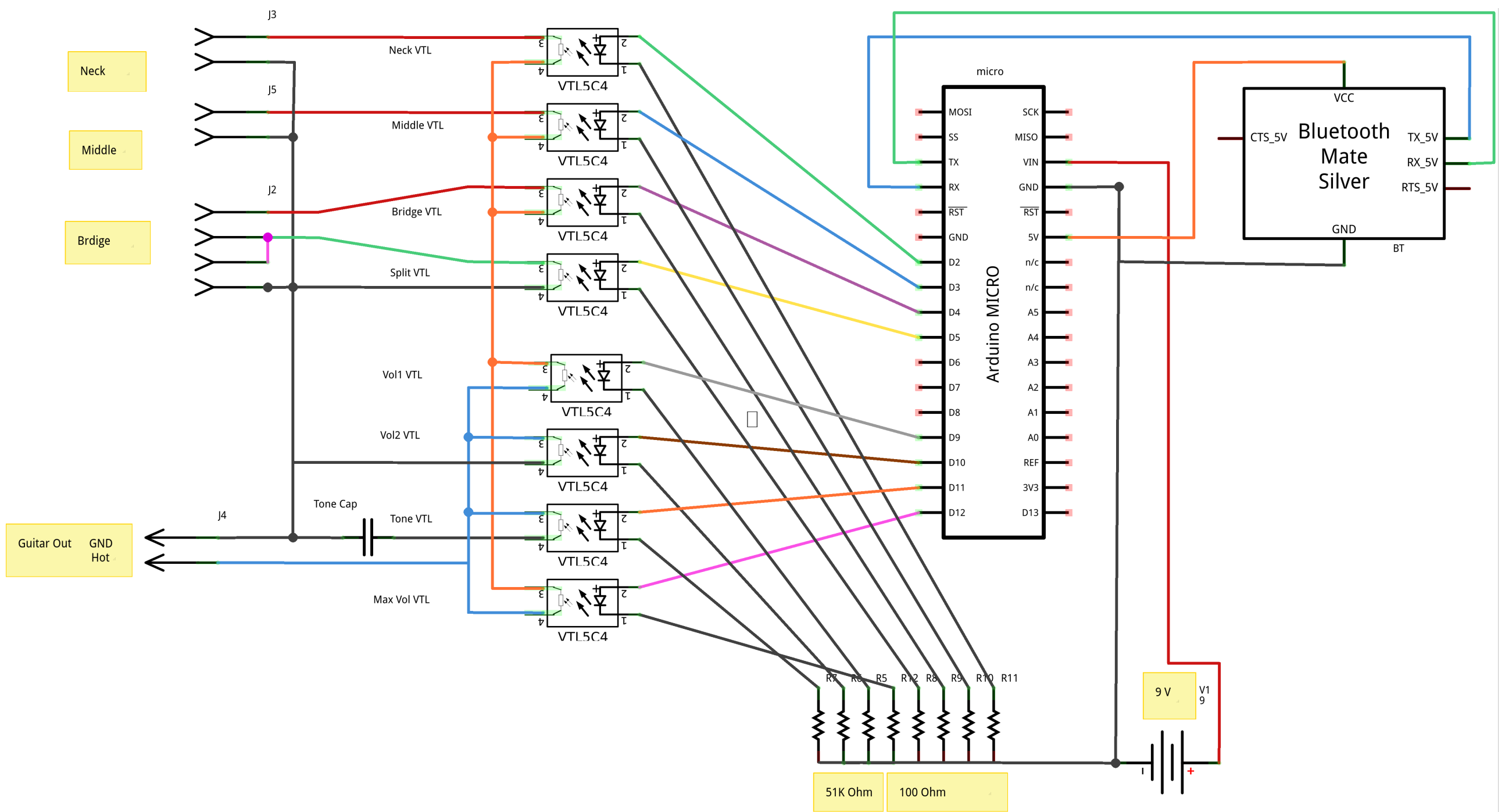
R_1 and R_2
Vary

Vactrols

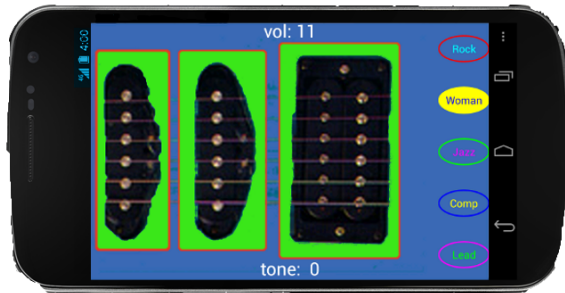


Electronically
apply current  R_1 and R_2
Vary

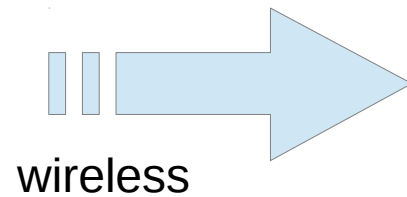
Digital control - Analog Pot



ArduGuitar Technology



Processing
Android
Bluetooth



Vactrols
Arduino Micro C++
Bluetooth

Thanks!

www.arduguitar.org